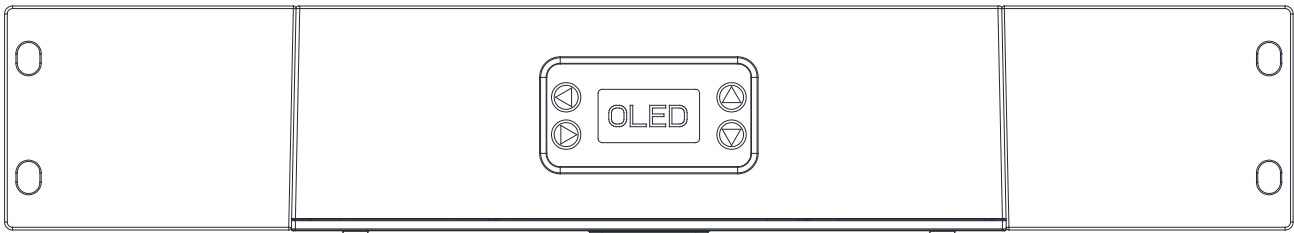


SHOWPRO

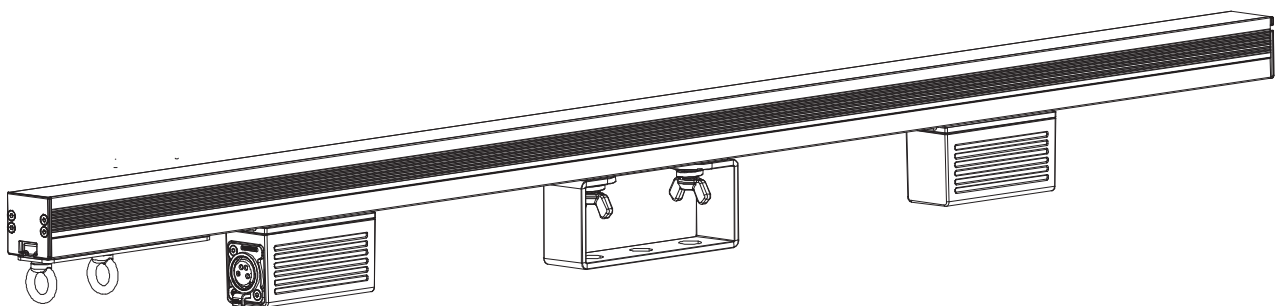
EK

Outdoor-rated networkable
Pixel-mappable lighting system.

dreampix DRIVER IP 1800



dreampix STRIP IP P10-Q100



USER MANUAL

CONTENT

SAFETY	01
DIMENSION	02
DESCRIPTION	03
INTRODUCTION	04
CONNECTION	05
MENU	06
DMX CHANNEL	08
TROUBLE SHOOTING	12




WARNING! Before carrying out any operations with the unit, carefully read this instruction manual and keep it with care for future reference. It contains important information about the installation, usage and maintenance of the unit.



SAFETY

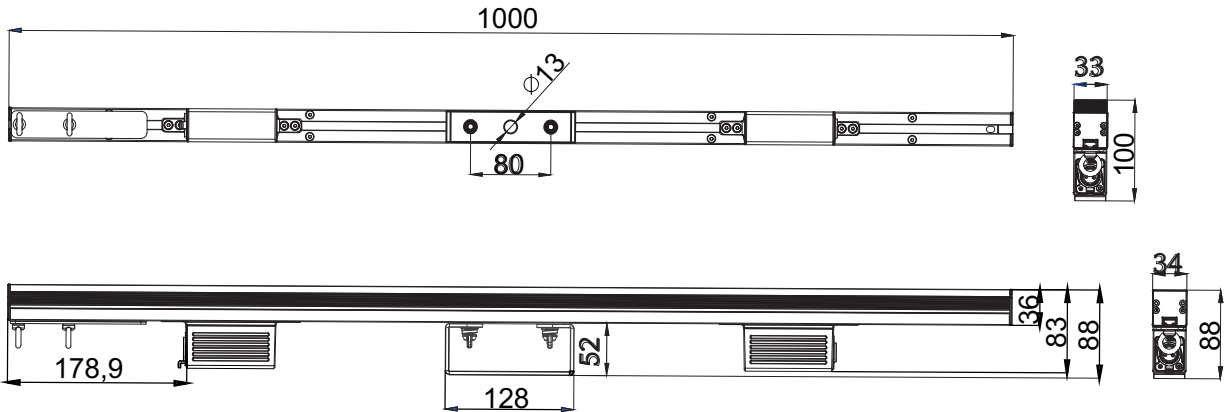
General instruction

- The products referred to in this manual conform to the European Community Directives and are therefore marked with **CE**.
- The unit is supplied with hazardous network voltage (230V~). Leave servicing to skilled personnel only. Never make any modifications on the unit not described in this instruction manual, otherwise you will risk an electric shock.
- Connection must be made to a power supply system fitted with efficient earthing (Class I appliance according to standard EN 60598-1). It is, moreover, recommended to protect the supply lines of the units from indirect contact and/or shorting to earth by using appropriately sized residual current devices.
- The connection to the main network of electric distribution must be carried out by a qualified electrical installer. Check that the main frequency and voltage correspond to those for which the unit is designed as given on the electrical data label.
- This unit is not for home use, only professional applications.
- Never use the fixture under the following conditions:
 - in places subject to vibrations or bumps;
 - in places with a temperature of over 40 °C.
- Make certain that no inflammable liquids, water or metal objects enter the fixture.
- Do not dismantle or modify the fixture.
- All work must always be carried out by qualified technical personnel. Contact the nearest sales point for an inspection or contact the manufacturer directly.
- If the unit is to be put out of operation definitively, take it to a local recycling plant for a disposal which is not harmful to the environment. 

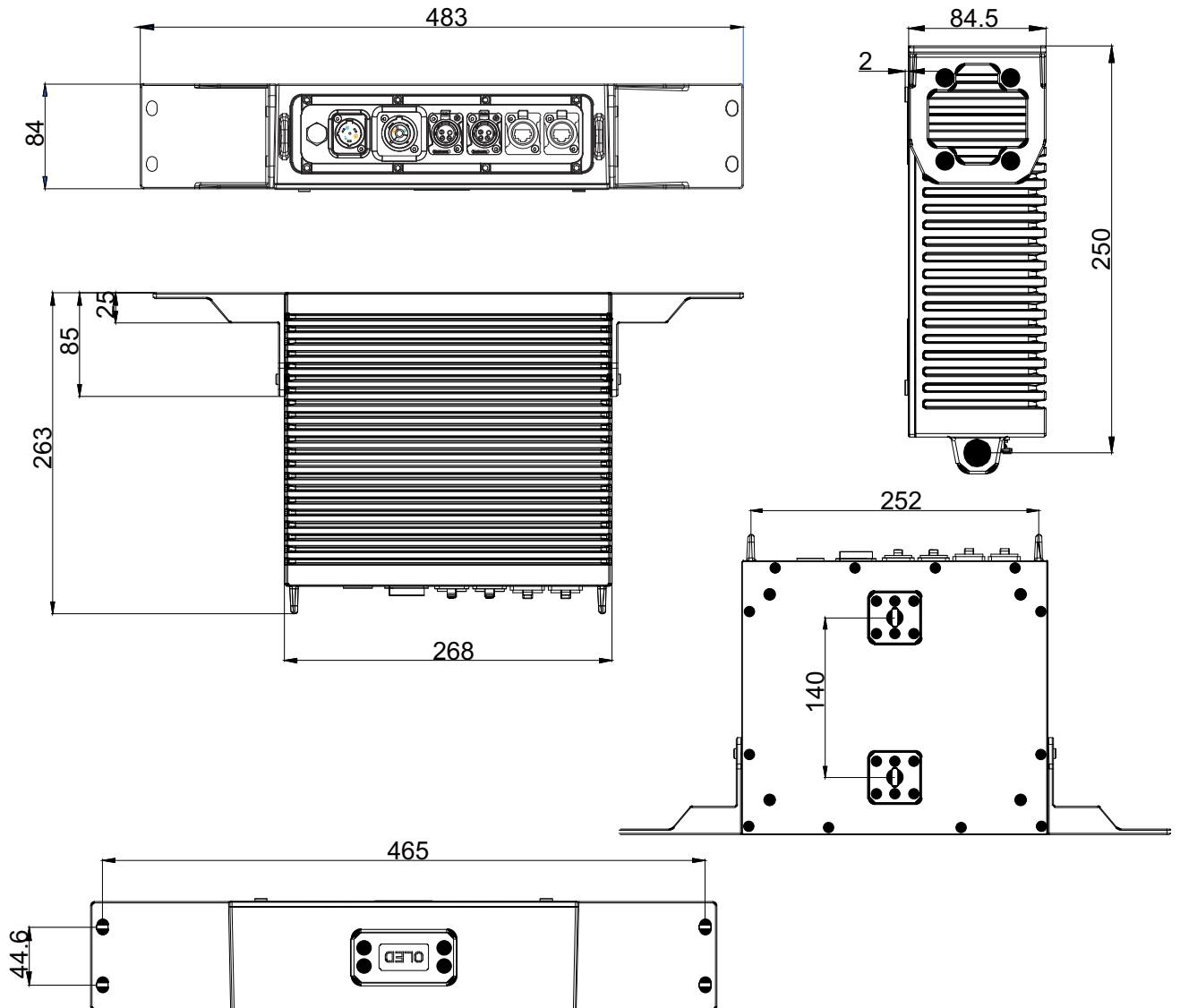
Warnings and installation precautions

- If this device will be operated in any way different to the one described in this manual, it may suffer damage and the guarantee becomes void. Furthermore, any other operation may lead to dangers like short circuit, burns, electric shock, etc.
- Before starting any maintenance work or cleaning the projector, cut off power from the main supply.
- Always additionally secure the projector with the safety rope. When carrying out any work, always comply scrupulously with all the regulations (particularly regarding safety) currently in force in the country in which the fixture's being used.
- Install the fixture in a well ventilated place.
- Keep any inflammable material at a safe distance from the fixture.
- Shields, lenses or ultraviolet screens shall be changed if they have become damaged to such an extent that their effectiveness is impaired.
- The lamp (LED) shall be changed if it has become damaged or thermally deformed.
- Never look directly at the light beam. Please note that fast changes in lighting, e. g. flashing light, may trigger epileptic seizures in photosensitive persons or persons with epilepsy.
- Do not touch the product's housing when operating because it may be very hot.

dreampix STRIP IP DIMENSION



dreampix DRIVER IP DIMENSION

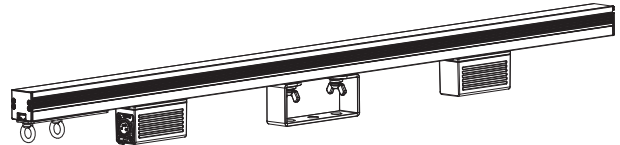


DESCRIPTION

dreampix STRIP IP P10-Q100

IP65 RGB PIXEL STRIP

- Outdoor pixel map and video effects display surface
- 100 SMD 5050RGB LEDs (100 x 1 matrix)
- Three lens options included:
 - Black matte flat diffusion panel
 - Rectangular block diffusion lens
 - Rounded dome diffusion tube
- Optimized for pixel map and video effects
- Endless possibilities for creative arrangements
- High refresh rate for flicker-free video
- Art-Net control via DREAMPIX DRIVER 1800 IP

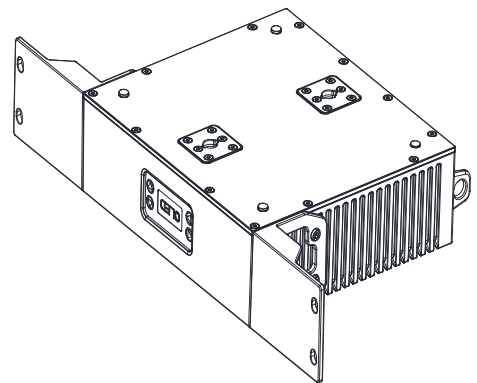


dreampix DRIVER IP 1800

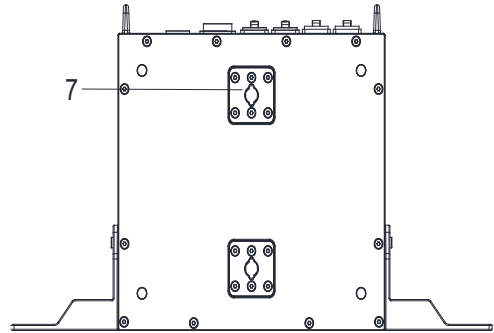
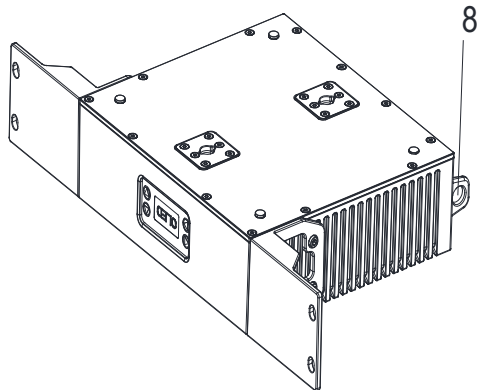
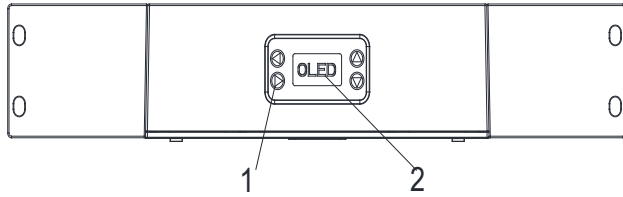
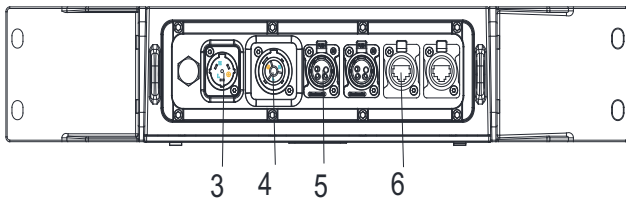
DREAMPIX DRIVER & ARTNET INTERFACE - OUTDOOR RATED

Powers and controls up to 20 Dreampix Strip IP Fixtures (10 per output)

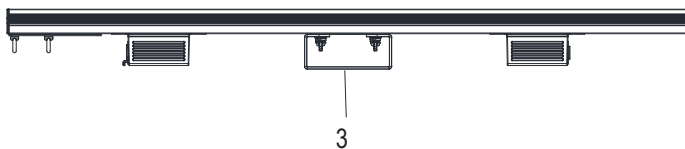
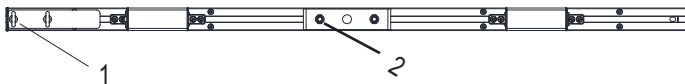
- Rugged IP65 construction built to withstand weather & professional use
- Easy-to-read OLED menu and intuitive touchscreen navigation
- Auto-addressing feature for quick set-up and configuration
- Artnet & RDM control



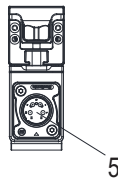
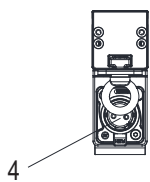
INTRODUCTION



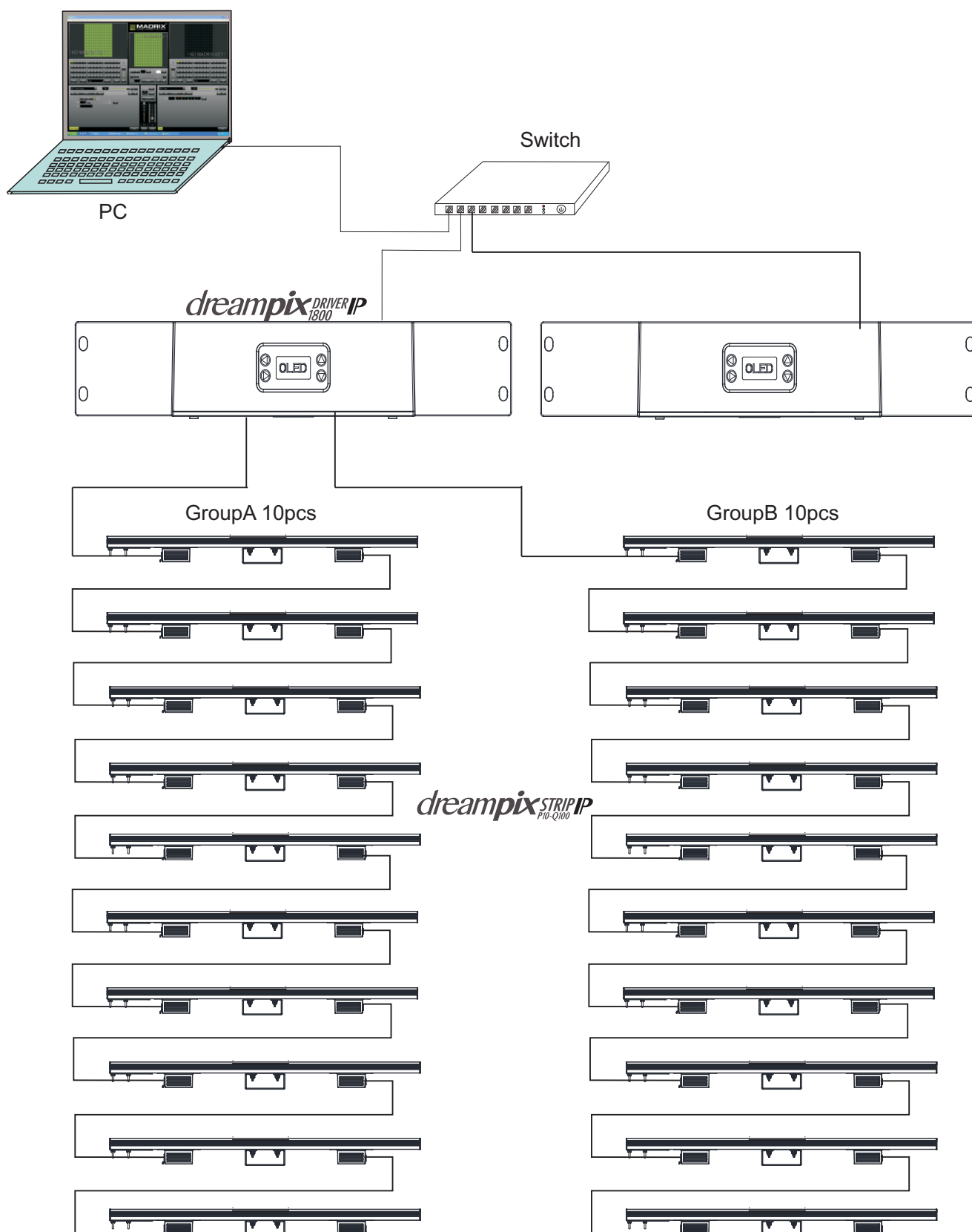
- 1 Button
- 2 OLED Display
- 3 Power In
- 4 Power Out
- 5 4-pin DMX Out
- 6 Ethernet In
- 7 Fast Lock Holder
- 8 Safety Roof



- 1 Interlocking Hardware
- 2 Bracket Position Adjustment Knob
- 3 Bracket
- 4 4-Pin Power/Data Out
- 5 4-Pin Power/Data In



CONNECTION



MENU

7	Port A	IP Address	IP Address1-10		Art-net(IP 1-126.xxx.xxx.xxx) SACN(IP:1-255.xxx.xxx.xxx)
		DMX Address	1-512		Default : 1
	Port B	Personality	Pixel		Default : Pixel
			7-Channel		
			5-Section		
			10-Section		
			25-Section		
			50-Section		
	Universe	0-246 (Art-net) 1-247 (sACN)		Default : 0 Default : 1	
	Port B	IP Address	IP Address1-10		Art-net(IP 1-126.xxx.xxx.xxx) SACN(IP:1-255.xxx.xxx.xxx)
Dmx Address		1-512		Default : 1	
8	Screen Lock	No-Yes		Default : No	
9	Software Version	Port A: ---V1.0			
		Port A: ---V1.0			

MENU

No.	Main Menu	Submenu	Submenu	Submenu	Remark
号 1	Auto Address	No-Yes			Automatically nds and addresses the products
2	View Linked Fixtures	Port A			Displays the connected products
		Port B			
3	LED Output	O			
		Red			
		Green			
		Blue			
		White			
		Fade			
		Scroll			
4	Protocol	Port A	Art-Net		Default :Art-Net
			Kling-Net	Device ID	
			sACN		
		Port B	Art-Net		Default :Art-Net
			Kling-Net	Device ID	
			sACN		
5	Display Inverse	No-Yes			Default :NO
6	Factory Reset	No-Yes			Default :O
7	Port A	Personality	Pixel		Default : Pixel
			7-Channel		
			5-Section		
			10-Section		
			25-Section		
			50-Section		
		Universe	0-246 (Art-net) 1-247 (sACN)		Default : 0 Default : 1

DMX CHANNEL

300CH			
-CH	Value	Setting/Percent	Remark
1	000-255	Red1 0-100%	Pixel 1
2	000-255	Green1 0-100%	
3	000-255	Blue1 0-100%	
4	000-255	Red2 0-100%	Pixel 2
5	000-255	Green2 0-100%	
6	000-255	Blue2 0-100%	
*	***_***	**_****	
*	***_***	**_****	
*	***_***	**_****	
295	000-255	Red99 0-100%	Pixel 99
296	000-255	Green99 0-100%	
297	000-255	Blue99 0-100%	
298	000-255	Red100 0-100%	Pixel 100
299	000-255	Green100 0-100%	
300	000-255	Blue100 0-100%	

DMX CHANNEL

7CH			
1	000-255	Master Dimmer 1-100%	
2	000-255	Red 0-100%	
3	000-255	Green 0-100%	
4	000-255	Blue 0-100%	
5	000-022	NO Function	
	023-037	Auto 1	
	038-052	Auto 2	
	053-067	Auto 3	
	068-082	Auto 4	
	083-097	Auto 5	
	098-112	Auto 6	
	113-127	Auto 7	
	128-142	Auto 8	
	143-157	Auto 9	
	158-173	Auto 10	
	174-189	Auto 11	
	190-206	Auto 12	
	207-222	Auto 13	
223-238	Auto 14		
239-255	All Auto (Auto 1-14)		
6	000-255	Speed Slow to Fast 0-100%	
7	000-010	NO Function	
	011-255	Strobe Slow to Fast 0-100%	

DMX CHANNEL

15CH			
1	000-255	Red1 0-100%	Pixel 1: 1-21
2	000-255	Green1 0-100%	
3	000-255	Blue1 0-100%	
4	000-255	Red2 0-100%	Pixel 2: 21-40
5	000-255	Green2 0-100%	
6	000-255	Blue2 0-100%	
7	000-255	Red3 0-100%	Pixel 3: 41-60
8	000-255	Green3 0-100%	
9	000-255	Blue3 0-100%	
10	000-255	Red4 0-100%	Pixel 4: 61-80
11	000-255	Green4 0-100%	
12	000-255	Blue4 0-100%	
13	000-255	Red5 0-100%	Pixel 5: 81-100
14	000-255	Green5 0-100%	
15	000-255	Blue5 0-100%	
30CH			
1	000-255	Red1 0-100%	Pixel 1: 1-10
2	000-255	Green1 0-100%	
3	000-255	Blue1 0-100%	
4	000-255	Red2 0-100%	Pixel 2: 11-20
5	000-255	Green2 0-100%	
6	000-255	Blue2 0-100%	
*	***_***	**_****	
*	***_***	**_****	
*	***_***	**_****	
25	000-255	Red9 0-100%	Pixel 9 81-90
26	000-255	Green9 0-100%	
27	000-255	Blue9 0-100%	
28	000-255	Red10 0-100%	Pixel10: 91-100
29	000-255	Green10 0-100%	
30	000-255	Blue10 0-100%	

DMX CHANNEL

75CH			
1	000-255	Red 1 0-100%	Pixel1: 1-4
2	000-255	Green1 0-100%	
3	000-255	Blue1 0-100%	
4	000-255	Red2 0-100%	Pixel2: 5-8
5	000-255	Green2 0-100%	
6	000-255	Blue2 0-100%	
*	***_***	**_****	
*	***_***	**_****	
*	***_***	**_****	
70	000-255	Red24 0-100%	Pixel24: 93-96
71	000-255	Green24 0-100%	
72	000-255	Blue24 0-100%	
73	000-255	Red25 0-100%	Pixel25: 97-100
74	000-255	Green25 0-100%	
75	000-255	Blue25 0-100%	
150CH			
1	000-255	Red1 0-100%	Pixel1: 1-2
2	000-255	Green1 0-100%	
3	000-255	Blue1 0-100%	
4	000-255	Red2 0-100%	Pixel 2 3-4
5	000-255	Green2 0-100%	
6	000-255	Blue2 0-100%	
*	***_***	**_****	
*	***_***	**_****	
*	***_***	**_****	
145	000-255	Red49 0-100%	Pixel49: 97-98
146	000-255	Green49 0-100%	
147	000-255	Blue49 0-100%	
148	000-255	Red50 0-100%	Pixel50: 99-100
149	000-255	Green50 0-100%	
150	000-255	Blue50 0-100%	

TROUBLESHOOTING

Problems	Possible causes	Checks and remedies
Fixture does not light up	<ul style="list-style-type: none"> • No mains supply • Dimmer fader set to 0 • All color faders set to 0 • Faulty LED • Faulty LED board 	<ul style="list-style-type: none"> • Check the power supply voltage • Increase the value of the DMX channels • Increase the value of the color channels • Replace the LED board • Replace the LED board
General low light intensity	<ul style="list-style-type: none"> • Dirty lens assembly • Misaligned lens assembly 	<ul style="list-style-type: none"> • Clean the fixture regularly • Install lens assembly properly
Fixture does not power up	<ul style="list-style-type: none"> • No power • Loose or damaged power cord • Faulty internal power supply 	<ul style="list-style-type: none"> • Check for power on power outlet • Check power cord • Replace internal power supply
Fixture does not respond to DMX	<ul style="list-style-type: none"> • Wrong DMX addressing • Damaged DMX cables • Bouncing signals 	<ul style="list-style-type: none"> • Check control panel and unit addressing • Check DMX cables • Install terminator as suggested